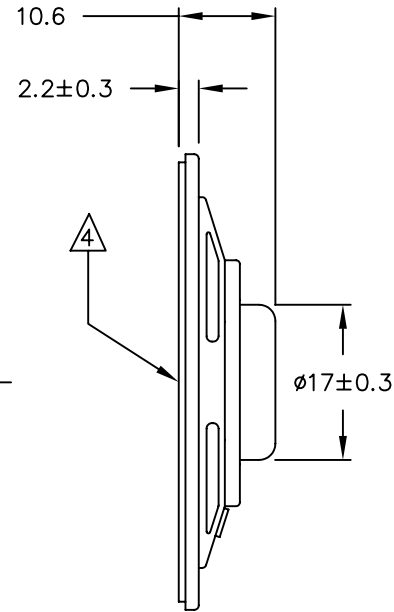
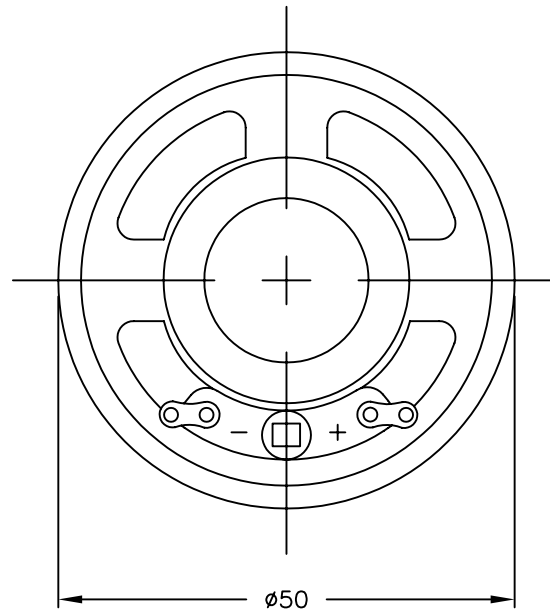


THIS DOCUMENT CONTAINS DATA PROPRIETARY TO PROJECTS UNLIMITED, INC. ANY USE OR REPRODUCTION, IN ANY FORM, WITHOUT PRIOR WRITTEN PERMISSION OF PROJECTS UNLIMITED, INC. IS PROHIBITED.
 © 2005, Projects Unlimited Inc.

SPECIFICATIONS

PARAMETERS	VALUES	UNITS
RATED INPUT POWER	1.5	W
MAX INPUT POWER	3	W
IMPEDANCE	4±15%	OHM
OUTPUT SPL @ 1W/1M (AT 1.0, 1.2, 1.5, 2 kHz)	85±3	dBA
DISTORTION (MAX.)	5%	-
RESONANT FREQUENCY	800±20%	Hz
FREQUENCY RANGE	800 ~ 5000	Hz
HOUSING MATERIAL	METAL	-
CONE MATERIAL	TREATED PAPER	-
MAGNET MATERIAL	N35	-
OPERATING TEMPERATURE	-25 ~ +65	°C
WEIGHT	15	grams


REVISIONS			
LTR	DESCRIPTION	DATE	APPROVED
-	RELEASED FROM ENGINEERING	5/15/06	



NOTES:

1. ALL DIMENSIONS ARE IN MILLIMETERS.
2. SPECIFICATION SUBJECT TO CHANGE OR WITHDRAWAL WITHOUT NOTICE.
3. THIS PART IS RoHS 2002/95/EC COMPLIANT.
4. CONE HAS BEEN TREATED FOR WATER RESISTANCE.

FILE NAME
 AS05004PR-2-WR-R.DWG

UNLESS OTHERWISE SPECIFIED: DIMENSIONS ARE IN MILLIMETERS, TOLERANCES ARE ±0.5 AND ANGLES ARE ±3°.		 projects® unlimited Dayton , Ohio									
<table border="1"> <thead> <tr> <th>APPROVALS</th> <th>DATE</th> </tr> </thead> <tbody> <tr> <td>DRAWN <i>J.D.</i></td> <td>5/06</td> </tr> <tr> <td>CHECKED <i>E.P.</i></td> <td>5/06</td> </tr> <tr> <td>APPROVED <i>B.R.</i></td> <td>5/06</td> </tr> </tbody> </table>		APPROVALS	DATE	DRAWN <i>J.D.</i>	5/06	CHECKED <i>E.P.</i>	5/06	APPROVED <i>B.R.</i>	5/06	<h2>SPEAKER</h2>	
APPROVALS	DATE										
DRAWN <i>J.D.</i>	5/06										
CHECKED <i>E.P.</i>	5/06										
APPROVED <i>B.R.</i>	5/06										
DRAWING NO. AS05004PR-2-WR-R		SIZE A									
DO NOT SCALE DRAWING		SCALE: N.T.S.	SHEET 1 OF 1								